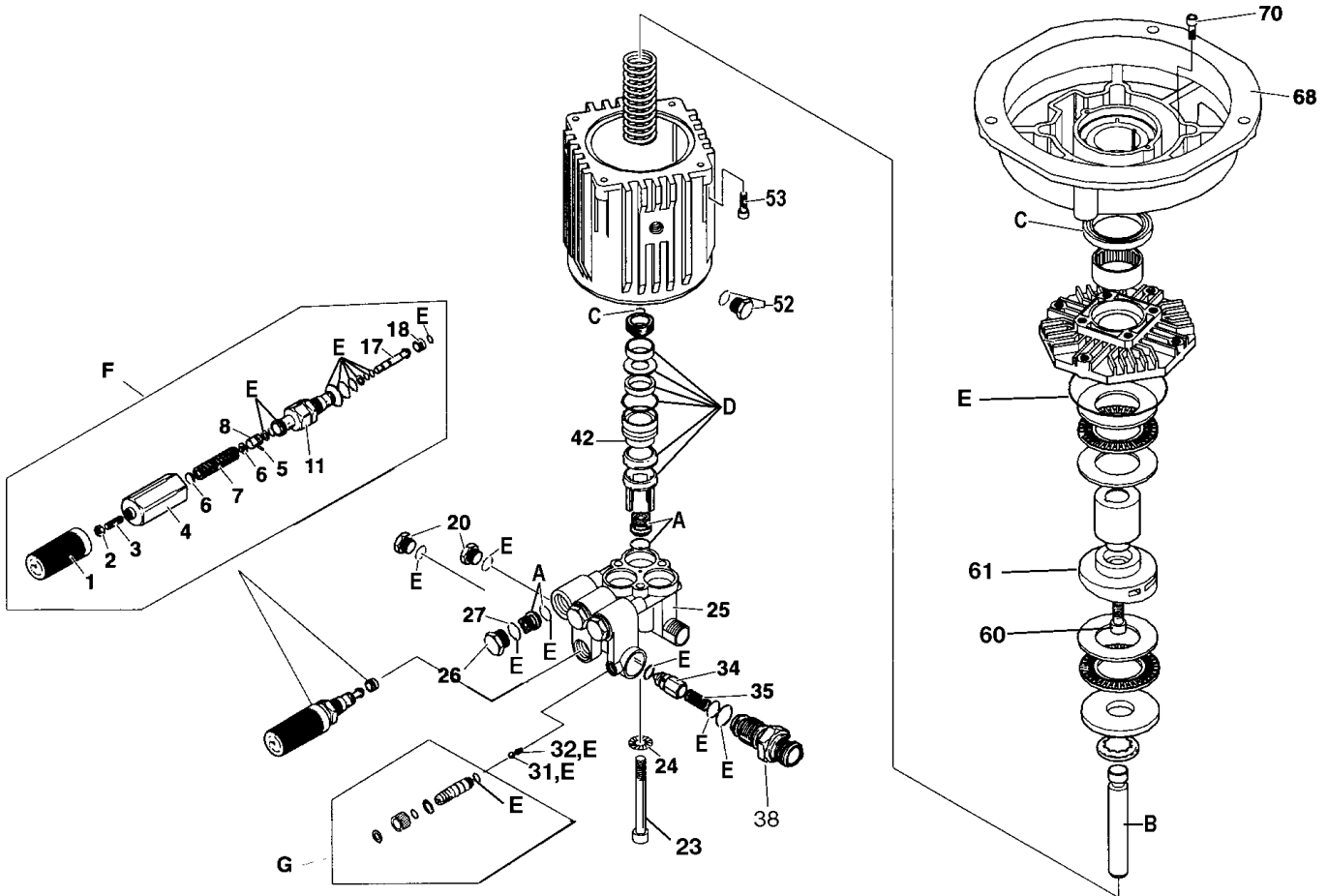
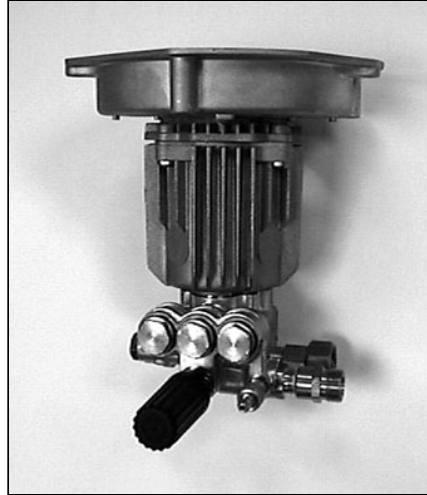


D25059 - XJW 2.2G22 - Pump



D25059 - XJW 2.2G22- PARTS LIST

<u>Key#</u>	<u>Part #</u>	<u>Description</u>
1	AR-1322520	Knob
2	AR-1980300	Nut
3	AR-1980470	Grub Screw
4	AR-1980640	Handle Insert
5	AR-1080070	Pin
6	AR-1980220	Plate Spring
7	AR-1271070	Spring
8	AR-1080041	Upper Piston
11	AR-1980210	Piston Guide
17	AR-1271160	Lower Piston
18	AR-1980200	Valve Seat
20	AR-880581	Plug
23	AR-1980310	Screw
24	AR-650530	Washer
25	AR-1980650	Pump Head
26	AR-1260162	Plug
27	AR-960160	O-ring
31	AR-1250280	Ball
32	AR-1560520	Spring
34	AR-1540170	Jet
35	AR-1080091	Spring
38	AR-1270090	Detergent Injector
42	AR-1980180	Piston Guide
52	AR-1980290	Oil Plug
53	AR-180030	Screw
60	AR-850370	Screw
61	AR-1980070	Wobble Plate
68	AR-1980510	Motor Flange
70	AR-1200430	Screw
A	AR-1864	Valve Kit
B	AR-2796	Piston Kit
C	AR-2797	Oil Seal Kit
D	AR-2800	Water Seal Kit
E	AR-2799	O-Ring Kit
F	AR-2824	Unloader Kit
G	AR-1569202	Chemical Injector Kit

General Information:

- 10W30 fully synthetic oil-5.25 oz.
- Fill to the lower side of the sight glass
- Kit contains: D24635 pump, 16829 adapter (inline filter), 15294 key, 17658 thermal relief valve, H140 chemical hose, D23186 Screw, 5/16-18 x 2.25 " (qty 3) , P448 Key

D25059 - XJW 2.2G22 - REPAIR KITS

AR-2869 Valves Kit



AR-2800 Water Seal Kits



AR-2796 Piston Kit



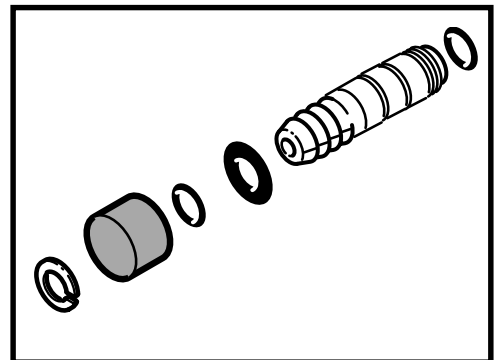
AR-2824 Unloader Valve Kit



AR-2797 Oil Seal Kit



AR-156920 2 Chemical Injector Kit



AR-2799 O-Ring Kit

